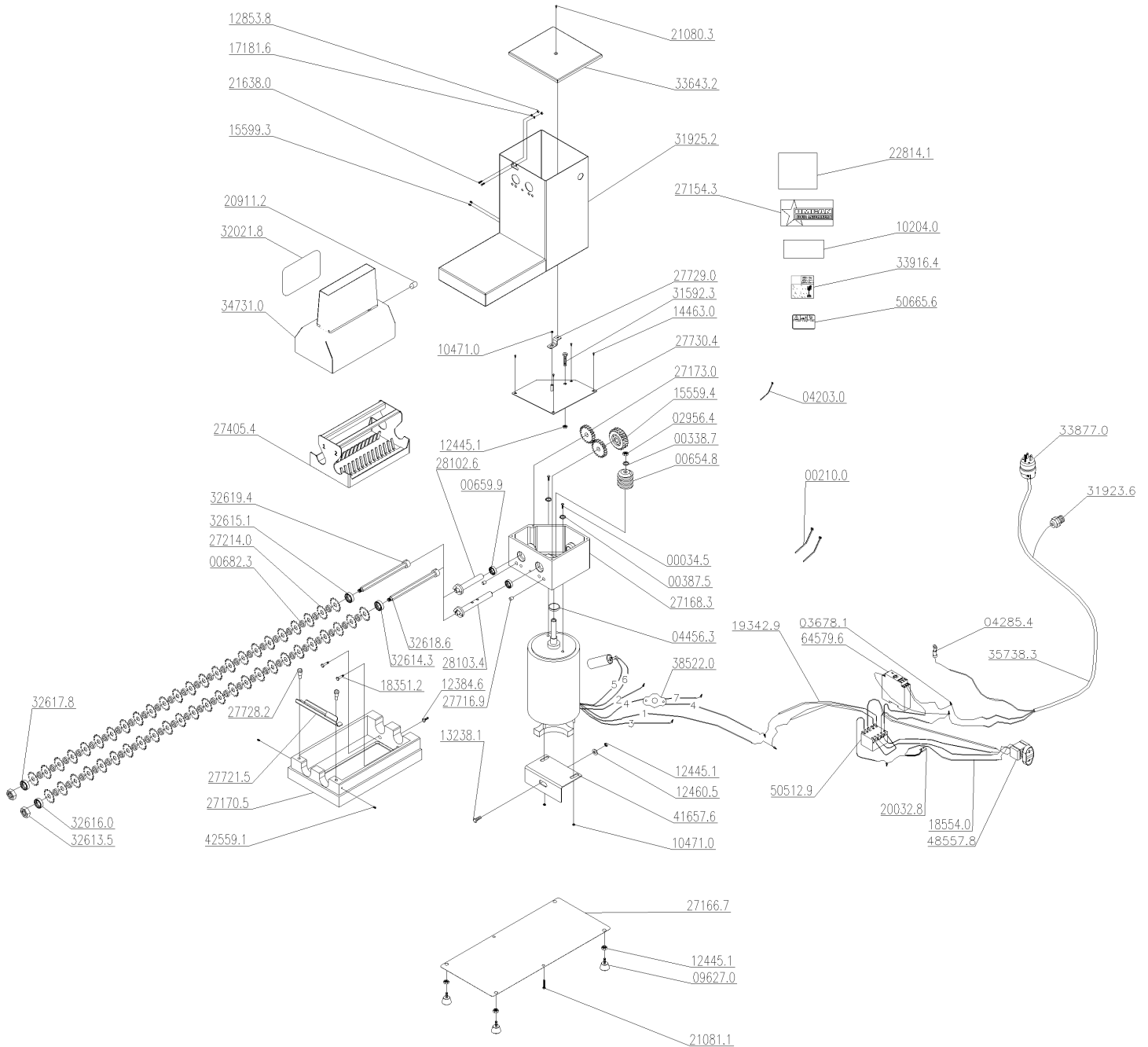


# Parts Breakdown

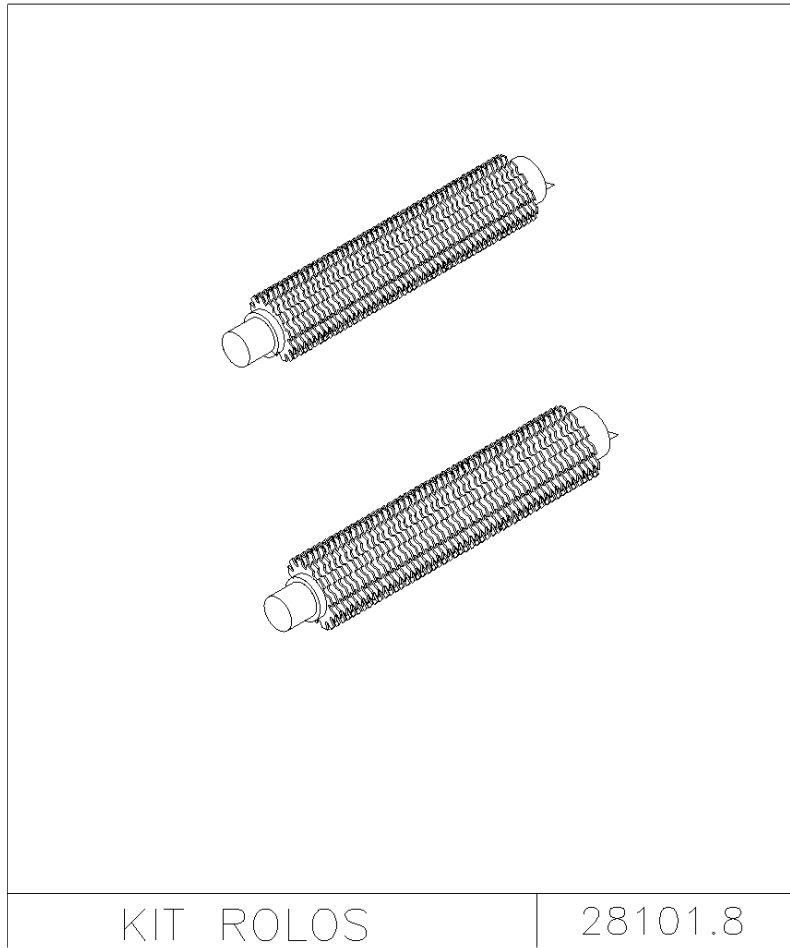
Model MT-BR-0400 17847



# Parts Breakdown

---

**Model MT-BR-0400** 17847



# Parts Breakdown

## Model MT-BR-0400 17847

| Item No. | Description                                     | Position | Item No. | Description                                   | Position | Item No. | Description                                     | Position |
|----------|---|----------|----------|---|----------|----------|---|----------|
| 30319    | Screw 1/4x3/8 for 17847                         | 00034.5  | 38091    | Fio Eletr.Preto 1x380mm for 17847             | 18554.0  | 27724    | Silicone Protection Cap for 17847               | 29693.7  |
| 27688    | Clamp K22 (T 50R) for 17847                     | 00210.0  | 38069    | Fio 0.75mm2x80mm for 17847                    | 19342.9  | 38057    | Suspiro Caixa Engrenagem for 17847              | 31592.3  |
| 30186    | Wire Passer Molde 0922231 for 17847             | 00218.6  | 38090    | Reed Switch for 17847                         | 20032.8  | 27726    | Cord Holder PG13.5 LC+P/9 for 17847             | 31923.6  |
| 38064    | Washer P 1/2 ZB for 17847                       | 00338.7  | 38096    | Encapsulated Magnet for 17847                 | 20033.6  | 38049    | CS Estrutura for 17847                          | 31925.2  |
| 38066    | Washer L 5/16 Inox for 17847                    | 00387.5  | 38087    | Washer L.A5.3 Din 125 Inox for 17847          | 20194.4  | 38053    | Etiq.Sentido Tampa for 17847                    | 32021.8  |
| 38065    | Screw for 17847                                 | 00654.8  | 38052    | Magnet Diam.8x4mm for 17847                   | 20911.2  | 38077    | Porca dos Rolos for 17847                       | 32613.5  |
| 20029    | Retainer 00790BR for 17847                      | 00659.9  | 38047    | Screw M6x12 DIN 963 for 17847                 | 21080.3  | 38083    | Anel Tras. Rolo 1 for 17847                     | 32614.3  |
| 38063    | Nut 1/2 ZB for 17847                            | 02956.4  | 27711    | Screw M5x10 DIN 933 Stainless Steel for 17847 | 21081.1  | 38072    | Anel Tras. Rolo 2 for 17847                     | 32615.1  |
| 27696    | Nylon Cover CN 4478 for 17847                   | 03678.1  | 38046    | PFS M3x12 DIN 965 Inox for 17847              | 21638.0  | 38076    | Anel Diant. Rolo 1 for 17847                    | 32616.0  |
| 27699    | Clamp T 18R Small for 17847                     | 04203.0  | 38050    | Caution Label for 17847                       | 22814.1  | 38075    | Anel Diant. Rolo 2 for 17847                    | 32617.8  |
| 38089    | Pre Isolating Terminal for 17847                | 04285.4  | 27720    | Omcan Logo (Machines) for 17847               | 27154.3  | 38082    | Eixo Rolo 1 for 17847                           | 32618.6  |
| 38068    | O Ring 61x54x3.5mm for 17847                    | 04456.3  | 38097    | CS Estrutura for 17847                        | 27160.8  | 38071    | Eixo Rolo 2 for 17847                           | 32619.4  |
| 38093    | Rubber Foot M8x15mm for 17847                   | 09627.0  | 38098    | Tampa for 17847                               | 27164.0  | 38048    | Tampa ABN HD for 17847                          | 33643.2  |
| 38095    | Screw M4x16 DIN 916 Inox for 17847              | 10193.1  | 38092    | Protecao Inferior for 17847                   | 27166.7  | AE578    | Plug Americano Certificado 15A for 17847        | 33877.0  |
| 38055    | Nut M5 DIN 934 Stainless Steel for 17847        | 10471.0  | 38067    | Cabecote (Branco) for 17847                   | 27168.3  | 38051    | Label Attention Oil for 17847                   | 33916.4  |
| 16416    | Screw M6x12 DIN 933 Stainless Steel for 17847   | 12384.6  | 38080    | Roller Support for 17847                      | 27170.5  | 38054    | Protection Lid for 17847                        | 34731.0  |
| 16421    | Screw Nut M8 934 Inox for 17847                 | 12445.1  | 38061    | Gears Z20 for 17847                           | 27173.0  | AE579    | CB.3x2.1mm2 SJx2m Certif. for 17847             | 35738.3  |
| 16423    | Washer L.A8.4 Stainless Steel for 17847         | 12460.5  | 38059    | Comb Set ABN HD for 17847                     | 27405.4  | 38070    | Prot.Termico 10029326 for 17847                 | 38522.0  |
| 38044    | Nut M3 DIN 934 Stainless Steel for 17847        | 12853.8  | 38085    | Pino Centralizador for 17847                  | 27716.9  | AE580    | Estabilizador for 17847                         | 41657.6  |
| 38086    | Screw M8x16 DIN 933 Stainless Steel for 17847   | 13238.1  | 38079    | Roll Lock for 17847                           | 27721.5  | 38081    | PFS M4x12 DIN 916 Inox for 17847                | 42559.1  |
| 16435    | Screw M4x10 for 17847                           | 14463.0  | 38078    | Roll Lock Pin for 17847                       | 27728.2  | 65979    | On/Off Key without LED for 17847                | 48557.8  |
| 38062    | Crown ABL for 17847                             | 15559.4  | 38056    | Fixador da Tampa for 17847                    | 27729.0  | AE581    | Mini Cont.CWC016-01-30X19 127V 60Hz for 17847   | 50512.9  |
| 30279    | Screw B.3.5X9.5 DIN 7971 for 17847              | 15599.3  | 38058    | CS Tampa do Cabecote for 17847                | 27730.4  | 78551    | Cleaning Maintenance Label for 17847            | 50665.6  |
| 38045    | Washer L.A3.2 DIN 125 Stainless Steel for 17847 | 17181.6  | 38094    | Rolls Set ABN HD for 17847                    | 28101.8  | AE582    | Rele Sub./Sobretensao Monof. RM17UBE1 for 17847 | 64579.6  |
| 30305    | Cable 3x1.0mm with Plug for 17847               | 17898.5  | 38060    | Driven Shaft ABN HD for 17847                 | 28102.6  | AE583    | Protecao Inferior for 17847                     | 64694.6  |
| 38084    | Screw M8x40 DIN 933 Stainless Steel for 17847   | 18351.2  | 20028    | Driving Shaft ABN HD for 17847                | 28103.4  |          |   |          |
| 18665    | Contactora 110V 50/60HZ for 17847               | 18450.0  | 38100    | Motor 0.5CV 60Hz W for 17847                  | 28889.6  |          |   |          |